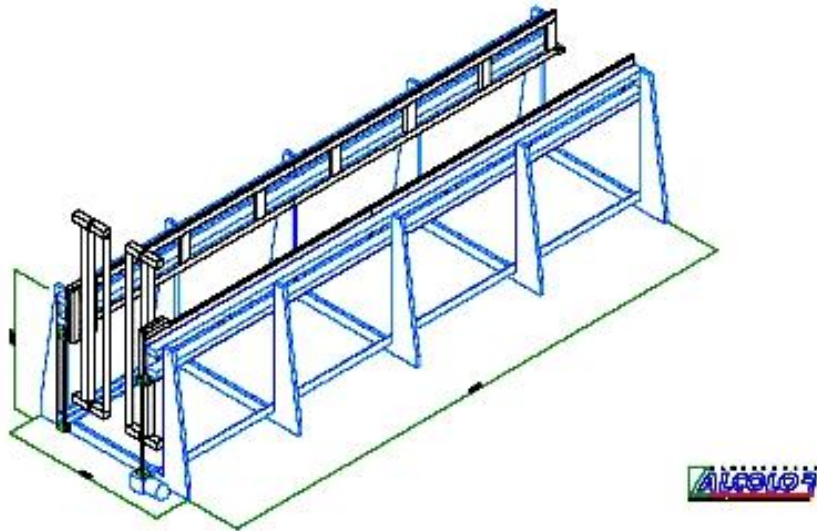


ALCOLOR WOOD_ART 2004
Powder on Powder Wood Pattern DECORATION SYSTEM
The System



It includes a Traveling attachment 2 meter high which is producing the wood art pattern on the horizontally mounted Aluminium Profiles passing through the Booth.

The Traveling attachment is mounted on a Rail support System as above 3D Drawing positioned around the Booth of your Plant.

Therefore the exact dimensions have to be defined according the client's Booth.

There are 4 Decoration Programs:

Program S1: for Sheets. Pattern with one direction "not straight" lines as sample photos above.

Program S2: for Sheets. Pattern with "not straight" lines and Nodes.

Program P1: for Aluminium Profiles. Pattern with "not straight" lines

Program P2: for Aluminium Profiles. Pattern with "not straight" lines and Nodes.

N. & D. VAMVAKOUSSIS O.E. – "ALCOLOR"

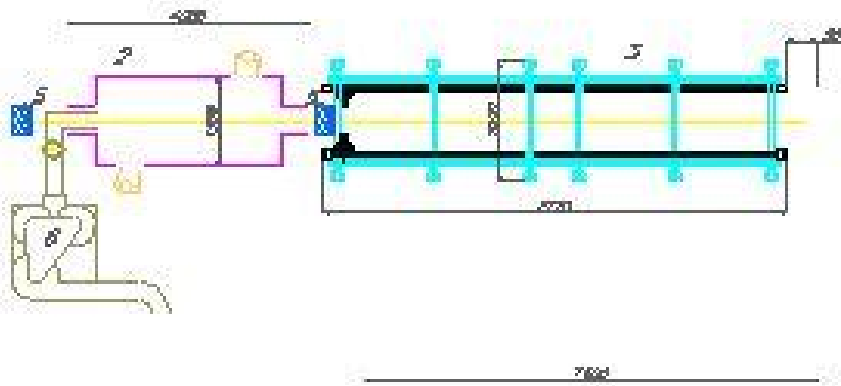
36 Gr. Xenopoulou Street – 16346 Ilioupolis – Attica, GREECE

VAT no. 998703170 - t: 0030 210 5127764, f: 0030 210 5136518

<http://www.alcolor.gr> e-mail: info@alcolor.gr alcolor@otenet.gr



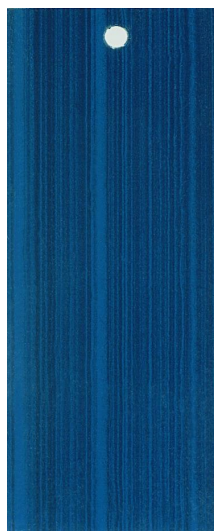
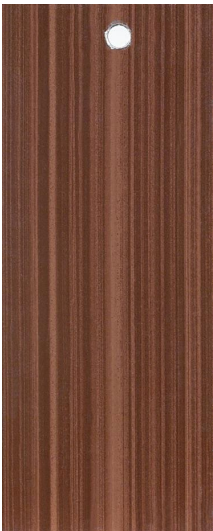
Typical Layout with 1 Booth and 1 Wood_Art2004 Machine:



Decoration with Program 2 for Aluminium Profiles:



SAMPLES



N. & D. VAMVAKOUSSIS O.E. – “ALCOLOR”

36 Gr. Xenopoulou Street – 16346 Ilioupolis – Attica, GREECE
VAT no. 998703170 - t: 0030 210 5127764, f: 0030 210 5136518
<http://www.alcolor.gr> e-mail: info@alcolor.gr alcolor@otenet.gr

Β Α Μ Β Α Κ Ο Υ Σ Η Σ

ALCOLOR



N. & D. VAMVAKOUSSIS O.E. – "ALCOLOR"
36 Gr. Xenopoulou Street – 16346 Ilioupolis – Attica, GREECE
VAT no. 998703170 - t: 0030 210 5127764, f: 0030 210 5136518
<http://www.alcolor.gr> e-mail: info@alcolor.gr alcolor@otenet.gr

Β Α Μ Β Α Κ Ο Υ Σ Η Σ

ALCOLOR



N. & D. VAMVAKOUSSIS O.E. – “ALCOLOR”
36 Gr. Xenopoulou Street – 16346 Ilioupolis – Attica, GREECE
VAT no. 998703170 - t: 0030 210 5127764, f: 0030 210 5136518
<http://www.alcolor.gr> e-mail: info@alcolor.gr alcolor@otenet.gr